

CCT-Adjustable BR30/BR40 Reflectors



BR40

BR30

65W-150W Equivalent



PROJECT: _____

DATE: _____

TYPE: _____

PREPARED BY: _____



KEY FEATURES

- Selectable color temperature: 2700/3000/3500/4000/5000K
- Energy efficient replacement for incandescent and halogen lamps
- Produces rich and vibrant colors 90 CRI
- Longer lifespan compared to legacy equivalents minimizes replacement and maintenance costs
- Phase Dimmable down to 10%, see Dimmer Compatibility List

PERFORMANCE

Catalog Number	Wattage Equivalency	Input Wattage	Lumens	Efficacy	Dim Type	Input Voltage	Beam Angle	Color Temp.	CRI	L70 Lifespan
BR30-7-9CCT-DIM	65W Incandescent	7W	732 lm	104 lm/W	TRIAC/ELV	120V	110°	Field adjustable via dip switch 2700/3000/3500/4000/5000K setting: 3000K	90	25,000 hrs
BR30-14-9CCT-DIM	100W Incandescent	14W	1,672 lm	128 lm/W						
BR30-19-9CCT-DIM	150W Incandescent	19W	2,434 lm	138 lm/W						
BR40-11-9CCT-DIM	85W Incandescent	11W	1,298 lm	129 lm/W						
BR40-21-9CCT-DIM	150W Incandescent	21W	2,601 lm	141 lm/W						

CCT-Adjustable BR30/BR40 Reflectors



PERFORMANCE (CONT.)

Catalog Number	Lamp Wattage (W)	CCT (K)	Lumens (lm)	Efficacy (lm/w)	EQ Wattage (W)
BR30-7-9CCT-DIM	7W	2700K	666 lm	98 lm/W	65W
		3000K	694 lm	100 lm/W	
		3500K	732 lm	104 lm/W	
		4000K	724 lm	104 lm/W	
		5000K	677 lm	99 lm/W	

Catalog Number	Lamp Wattage (W)	CCT (K)	Lumens (lm)	Efficacy (lm/w)	EQ Wattage (W)
BR30-14-9CCT-DIM	14W	2700K	1,528 lm	114 lm/W	100W
		3000K	1,598 lm	121 lm/W	
		3500K	1,672 lm	128 lm/W	
		4000K	1,669 lm	127 lm/W	
		5000K	1,578 lm	118 lm/W	

Catalog Number	Lamp Wattage (W)	CCT (K)	Lumens (lm)	Efficacy (lm/w)	EQ Wattage (W)
BR30-19-9CCT-DIM	19W	2700K	2,337 lm	129 lm/W	150W
		3000K	2,389 lm	133 lm/W	
		3500K	2,434 lm	138 lm/W	
		4000K	2,408 lm	135 lm/W	
		5000K	2,300 lm	127 lm/W	

Catalog Number	Lamp Wattage (W)	CCT (K)	Lumens (lm)	Efficacy (lm/w)	EQ Wattage (W)
BR40-11-9CCT-DIM	11W	2700K	1,163 lm	121 lm/W	85W
		3000K	1,219 lm	124 lm/W	
		3500K	1,289 lm	128 lm/W	
		4000K	1,298 lm	129 lm/W	
		5000K	1,199 lm	123 lm/W	

Catalog Number	Lamp Wattage (W)	CCT (K)	Lumens (lm)	Efficacy (lm/w)	EQ Wattage (W)
BR40-21-9CCT-DIM	21W	2700K	2,380 lm	125 lm/W	150W
		3000K	2,484 lm	132 lm/W	
		3500K	2,601 lm	141 lm/W	
		4000K	2,585 lm	140 lm/W	
		5000K	2,427 lm	128 lm/W	

TECHNICAL SPECIFICATIONS

CONSTRUCTION

Product Type
Reflector

Shape
BR30/BR40

Enclosure Material
Plastic

Finish
White

INSTALLATION

Base Type
E26 Edison

ELECTRICAL

Dimmable
Yes, dimmable down to 10% on compatible TRIAC/ELV dimming systems. See Dimmer Compatibility List.

Input Voltage
120V

Operating Frequency
60 Hz

Operating Temperature
-4°F to 113°F (-20°C to 45°C)

Power Factor
0.7

Flicker
30%

LED CHARACTERISTICS

Beam Angle
110°

Color Temperature
Field adjustable via dip switch 2700/3000/3500/4000/5000K
Default setting: 3000K

Color Accuracy (CRI)
90

R9 Value
High color performance with R9 no greater than 0

Color Consistency
4-step MacAdam Ellipse binning to achieve consistent fixture-to-fixture color

COMPLIANCE

Listings
UL Listed

Environment
Suitable for use indoors in dry and damp environments.

Fixture Rating
Suitable for use in enclosed fixtures.

Energy Star Approved
No

California Title 20 Compliant
Can be used to conform with the requirements of California Title 20.

California Title 24 JA8 Compliant
No

California Energy Commission (CEC) Status
Lawful for Sales in California

RoHS
Mercury and UV free. RoHS-compliant components.

FCC
Complies with Part 15 of the FCC Rules

OTHER

Warranty
RAB warrants that our LED products will be free from defects in materials and workmanship for a period of three (3) years from the date of delivery to the end user, including coverage of light output, color stability, driver performance and fixture finish.

RAB's warranty is subject to all terms and conditions found at rablighting.com/warranty.

Note
All values are typical (tolerance +/- 10%)

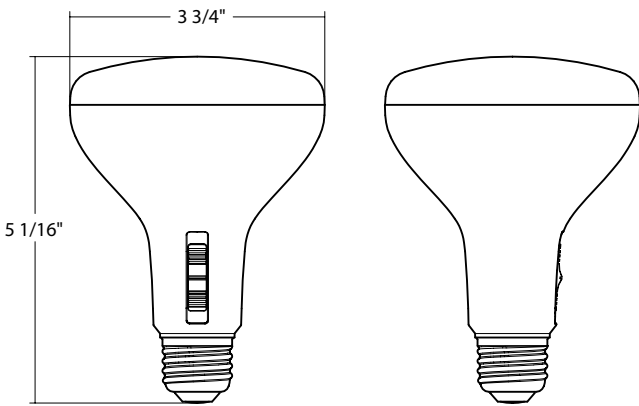
CCT-Adjustable BR30/BR40 Reflectors



DIMENSIONS

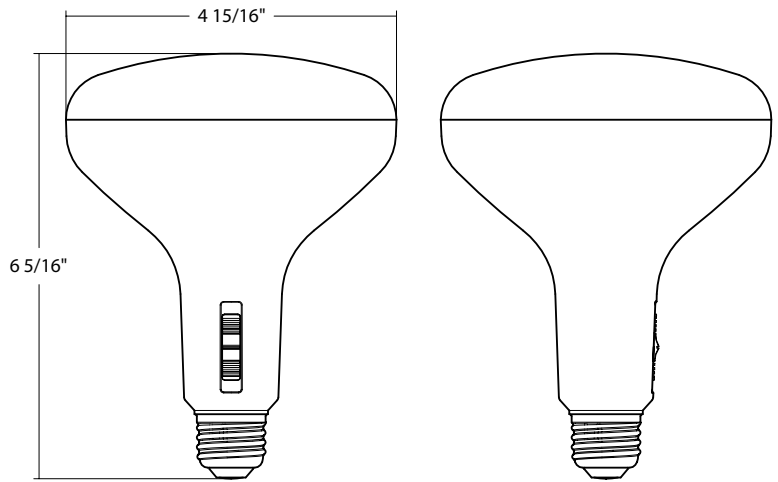
BR30-XX-9CCT-DIM

Weight: 0.22lbs.



BR40-XX-9CCT-DIM

Weight: 0.26 lbs.



ORDERING INFO

Catalog Number	Model Number	UPC	Case Pack
BR30-7-9CCT-DIM	P10035(BR30-7-9CCT-DIM)	192552037648	24
BR30-14-9CCT-DIM	P10036(BR30-14-9CCT-DIM)	192552037655	24
BR30-19-9CCT-DIM	P10037(BR30-24-9CCT-DIM)	192552037662	24
BR40-11-9CCT-DIM	P10038(BR40-11-9CCT-DIM)	192552037679	24
BR40-21-9CCT-DIM	P10039(BR40-21-9CCT-DIM)	192552037686	24

ORDERING MATRIX

Family	Size/Wattage	Base Type	CRI/Color Temp	Dimmable
BR30				
BR30	7 14 19	7W 14W 19W	Blank	E26 Edison
			9CCT	90 CRI, Field-Adjustable
				DIM
				120V, TRIAC/ELV

Family	Size/Wattage	Base Type	CRI/Color Temp	Dimmable
BR40				
BR40	11 21	11W 21W	Blank	E26 Edison
			9CCT	90 CRI, Field-Adjustable
				DIM
				120V, TRIAC/ELV