

# CCT-Adjustable A-Lamps



40W-100W Equivalent



PROJECT: \_\_\_\_\_

DATE: \_\_\_\_\_

TYPE: \_\_\_\_\_

PREPARED BY: \_\_\_\_\_



## KEY FEATURES

- Selectable CCT: 2700K/3000K/3500K/4000K/5000K
- Energy-efficient replacement for incandescent and halogen lamps
- Produces rich and vibrant colors 90CRI
- Longer lifespan compared to legacy equivalents minimizes replacement and maintenance costs
- Phase dimmable down to 10%, see Dimmer Compatibility List

## PERFORMANCE

Catalog Number	Wattage Equivalency	Input Wattage	Lumens	Efficacy	Dim Type	Input Voltage	Beam Angle	Color Temp.	CRI	L70 Lifespan
A19-6-9CCT-DIM	40W Incandescent	6W	510 lm	93 lm/W	TRIAC/ELV	120V	160°	Field adjustable via dip switch 2700K/3000K/ 3500K/4000K/5000K setting: 3000K	90	25,000 hrs
A19-8-9CCT-DIM	60W Incandescent	8W	800 lm	100 lm/W						
A19-10-9CCT-DIM	75W Incandescent	10W	1,100 lm	110 lm/W						
A19-14-9CCT-DIM	100W Incandescent	14W	1,500 lm	107 lm/W						
A19-8-GU24-9CCT-DIM	60W Incandescent	8W	800 lm	100 lm/W						
A19-10-GU24-9CCT-DIM	75W Incandescent	10W	1,100 lm	110 lm/W						
A19-14-GU24-9CCT-DIM	100W Incandescent	14W	1,500 lm	107 lm/W						

# CCT-Adjustable A-Lamps



## PERFORMANCE (CONT.)

Catalog Number	Lamp Wattage (W)	CCT (K)	Lumens (lm)	Efficacy (lm/w)	EQ Wattage (W)
A19-6-9CCT-DIM	6W	2700K	486 lm	97 lm/W	40W
		3000K	511 lm	101 lm/W	
		3500K	540 lm	106 lm/W	
		4000K	532 lm	106 lm/W	
		5000K	598 lm	102 lm/W	

Catalog Number	Lamp Wattage (W)	CCT (K)	Lumens (lm)	Efficacy (lm/w)	EQ Wattage (W)
A19-8-9CCT-DIM	8W	2700K	914 lm	117 lm/W	60W
		3000K	967 lm	123 lm/W	
		3500K	1,008 lm	127 lm/W	
		4000K	1,024 lm	128 lm/W	
		5000K	942 lm	120 lm/W	

Catalog Number	Lamp Wattage (W)	CCT (K)	Lumens (lm)	Efficacy (lm/w)	EQ Wattage (W)
A19-10-9CCT-DIM	10W	2700K	1,124 lm	117 lm/W	75W
		3000K	1,187 lm	122 lm/W	
		3500K	1,268 lm	127 lm/W	
		4000K	1,273 lm	127 lm/W	
		5000K	1,174 lm	121 lm/W	

Catalog Number	Lamp Wattage (W)	CCT (K)	Lumens (lm)	Efficacy (lm/w)	EQ Wattage (W)
A19-14-9CCT-DIM	14W	2700K	1,559 lm	122 lm/W	100W
		3000K	1,612 lm	128 lm/W	
		3500K	1,683 lm	136 lm/W	
		4000K	1,660 lm	133 lm/W	
		5000K	1,550 lm	122 lm/W	

## TECHNICAL SPECIFICATIONS

### CONSTRUCTION

**Product Type**

A-line

**Shape**

A19

**Enclosure Material**

Plastic

**Finish**

White

### INSTALLATION

**Base Type**

E26, GU24

### ELECTRICAL

**Dimmable**

Yes, dimmable down to 10% on compatible TRIAC/ELV dimming systems. See Dimmer Compatibility List.

**Input Voltage**

120V

**Operating Frequency**

60 Hz

**Operating Temperature**

-4°F to 113°F (-20°C to 45°C)

**Power Factor**

0.7

**Flicker**

30%

### LED CHARACTERISTICS

**Beam Angle**

160°

**Color Temperature**

Field adjustable via dip switch 2700K/3000K/3500K/4000K/5000K  
Default setting: 3000K

**Color Accuracy (CRI)**

90

**R9 Value**

High color performance with R9 no greater than 0

**Color Consistency**

4-step MacAdam Ellipse binning to achieve consistent fixture-to-fixture color

### COMPLIANCE

**Listings**

UL Listed

**Environment**

Suitable for use indoors in dry and damp environments.

**Fixture Rating**

Suitable for use in enclosed fixtures.

**Energy Star Approved**

No

**California Title 20 Compliant**

Can be used to conform with the requirements of California Title 20.

**California Title 24 JA8 Compliant**

No

**California Energy Commission (CEC) Status**

Lawful for Sales in California

**RoHS**

Mercury and UV free. RoHS-compliant components.

**FCC**

Complies with Part 15 of the FCC Rules

### OTHER

**Warranty**

RAB warrants that our LED products will be free from defects in materials and workmanship for a period of three (3) years from the date of delivery to the end user, including coverage of light output, color stability, driver performance and fixture finish.

RAB's warranty is subject to all terms and conditions found at [rablighting.com/warranty](http://rablighting.com/warranty).

**Note**

All values are typical (tolerance +/- 10%)

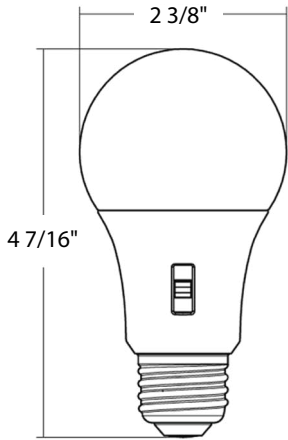
# CCT-Adjustable A-Lamps



## DIMENSIONS

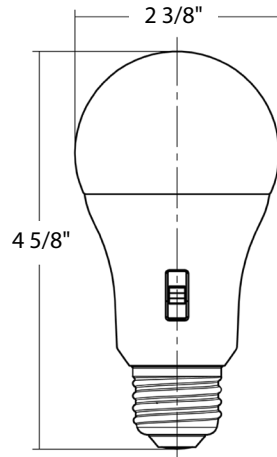
A19-6-9CCT-DIM  
A19-8-9CCT-DIM

Weight: 0.08lbs.



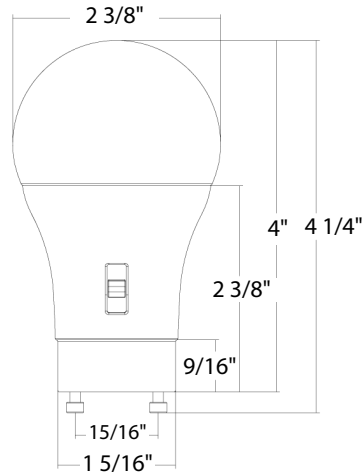
A19-10-9CCT-DIM  
A19-14-9CCT-DIM

Weight: 0.08 lbs.



A19-8-GU24-9CCT-DIM  
A19-10-GU24-9CCT-DIM  
A19-14-GU24-9CCT-DIM

Weight: 0.08 lbs.



## ORDERING INFO

Catalog Number	Model Number	UPC	Case Pack
A19-6-9CCT-DIM	A10121(A19-6-9CCT-DIM)	192552037693	24
A19-8-9CCT-DIM	A10122(A19-8-9CCT-DIM)	192552037709	24
A19-10-9CCT-DIM	A10123(A19-10-9CCT-DIM)	192552037716	24
A19-14-9CCT-DIM	A10124(A19-14-9CCT-DIM)	192552037723	24
A19-8-GU24-9CCT-DIM	A10125(A19-8-GU24-9CCT-DIM)	192552037730	24
A19-10-GU24-9CCT-DIM	A10126(A19-10-GU24-9CCT-DIM)	192552037747	24
A19-14-GU24-9CCT-DIM	A10127(A19-14-GU24-9CCT-DIM)	192552037754	24

## ORDERING MATRIX

Family	Size/Wattage	Base Type	CRI/Color Temp	Dimmable
A19				
A19	6 8 10 14	Blank GU24	E26 Edison GU24 Base	9CCT 90 CRI, Field-Adjustable
				DIM 120V, TRIAC/ELV

\*6W not available with GU24 base