

A22 Field-Adjustable Area Lights



A22-70 / A22-100



A22-150 / A22-200



A22-320



A22-150X



Area light with field-adjustable CCT, wattages and interchangeable lenses



0-10V



100,000 HOURS



WET RATED



IP RATING



FIELD ADJUSTABLE

PROJECT: _____

DATE: _____

TYPE: _____

PREPARED BY: _____



KEY FEATURES

- Available in three different sizes and six models with selectable wattages :
SMALL: **A22-70 (70/60/50W)** and **A22-100 (100/80/60W)**
MEDIUM: **A22-150** & **A22-150X (150/120/100W)** and **A22-200 (200/180/160W)**
LARGE: **A22-320 (320/280/250W)**
- Selectable CCT: **3000/4000/5000K**.
- Available in **120-277V** and **480V**
- Interchangeable Lenses**, IES distributions type **II, III, IV** and **V** available
- 7-pin** receptacle and shorting cap standard on all models except A22-150X which has twistlock photocell
- A22-150X** comes with distribution type **III** installed and Type **IV** and **V**
- Universal adjustable pole mount** standard, slipfitter and wall mount accessories offered
- Available in **bronze, white** and **black** finish
- UL listed for **wet location**
- IP66** listed
- 0-10V** dimmable
- 5-Year, limited warranty

TECHNICAL SPECIFICATIONS

CONSTRUCTION

Cold Weather Starting

Minimum starting temperature is -40°C (-40°F)

Maximum Ambient Temperature

Suitable for use in up to 40°C (104°F)

Housing

Die-cast aluminum

Mounting

Universal adjustable pole mount (standard). Slipfitter and wall mount accessory available.

Lens

Polycarbonate

Gasket

Silicone Gasket

Green Technology

Mercury and UV free. RoHs-compliant components.

Finish

Formulated for high durability and long lasting color. Available in bronze, white or black finish.

CONSTRUCTION

EPA

MODEL#	1 FIXTURE	2 FIXTURES	3 FIXTURES	4 FIXTURES
A22-70	0.3	0.7	1.2	1.2
A22-100	0.3	0.7	1.2	1.2
A22-150	0.4	0.8	1.4	1.4
A22-200	0.4	0.8	1.4	1.4
A22-320	0.4	0.8	1.6	1.6

LED CHARACTERISTICS

LEDs

Long-life, high-efficacy, surface-mount LEDs

Color Uniformity

RAB's range of Correlated Color Temperature follows the guidelines of the American National Standards for Specifications for the Chromaticity of Solid State Lighting (SLL) Products, ANSI C78.377-2017.

A22 Field-Adjustable Area Lights



TECHNICAL SPECIFICATIONS

COMPLIANCE

UL Listed

Suitable for wet locations. Suitable for mounting within 4 ft of the ground.

IP Listing

Ingress protection rating of IP66 for dust and water

DLC Listed

This product is listed by Design Lights Consortium (DLC) as an ultra-efficient premium product that qualifies for the highest tier of rebates from DLC Member Utilities. Designed to meet DLC 5.1 requirements.

MODEL#	PRODUCT ID	MODEL#	PRODUCT ID
A22-70	S-P8P451	A22-70/480	S-C4G4HK
A22-2T70	S-1D5NV5	A22-2T70/480	S-Y6PRT3
A22-4T70	S-M7F5C6	A22-4T70/480	S-WF6XXC
A22-5T70	S-96WNJH	A22-5T70/480	S-1P3NTN
A22-100	S-NSJQHH	A22-100/480	S-8JX8VS
A22-2T100	S-P9K7M1	A22-2T100/480	S-NZX3BD
A22-4T100	S-N4M58S	A22-4T100/480	S-87TK38
A22-5T100	S-TPD4GC	A22-5T100/480	S-BBKKSG
A22-150	S-TJWR13	A22-150/480	S-R85384
A22-2T150	S-XX1NLC	A22-2T150/480	S-YHX835
A22-4T150	S-C5NRQL	A22-4T150/480	S-7ZSPGQ
A22-5T150	S-Q13M99	A22-5T150/480	S-GLRBF3
A22-200	S-GZSNQT	A22-200/480	S-C6FR7J
A22-2T200	S-LW689X	A22-2T200/480	S-YXDM0K
A22-4T200	S-YPVW8H	A22-4T200/480	S-NSRMWV
A22-5T200	S-7BNK9Q	A22-5T200/480	S-8HXDSP
A22-4T320	S-D7RG52	A22-4T320/480	S-39HGKN
A22-2T320	S-JLYTBC	A22-2T320/480	S-VSK81V
A22-320	S-KPNS31	A22-320/480	S-74HJ4W
A22-5T320	S-H8LQVM	A22-5T320/480	S-7NRH57
A22-150X	S-MZV4GY		

ELECTRICAL

Drivers:

A22-70

Constant Current, Class 1, 120-277V, 50/60 Hz

70W: 120V: 0.58A, 208V: 0.33A, 240V: 0.29, 277V: 0.25A

60W: 120V: 0.50A, 208V: 0.29A, 240V: 0.25, 277V: 0.22A

50W: 120V: 0.41A, 208V: 0.24A, 240V: 0.21A, 277V: 0.18A

Constant Current, Class 1, 480V, 50/60 Hz

70W: 480V: 0.15A

60W: 480V: 0.13A

50W: 480V: 0.10A

A22 -100

Constant Current, Class 1, 120-277V, 50/60 Hz

100W: 120V: 0.83A, 208V: 0.48A, 240V: 0.42A, 277V: 0.36A

80W: 120V: 0.67A, 208V: 0.38A, 240V: 0.33A, 277V: 0.29A

60W: 120V: 0.5A, 208V: 0.29A, 240V: 0.25A, 277V: 0.22A

Constant Current, Class 1, 480V, 50/60 Hz

100W: 480V: 0.21A

80W: 480V: 0.17A

60W: 480V: 0.13A

ELECTRICAL

A22 -150

Constant Current, Class 1, 120-277V, 50/60 Hz

150W: 120V: 1.25A, 208V: 0.72A, 240V: 0.63A, 277V: 0.54A

120W: 120V: 1.0A, 208V: 0.58A, 240V: 0.5A, 277V: 0.43A

100W: 120V: 0.83A, 208V: 0.48A, 240V: 0.42A, 277V: 0.36A

Constant Current, Class 1, 480V, 50/60 Hz

150W: 480V: 0.32A

120W: 480V: 0.25A

100W: 480V: 0.21A

A22 -200

Constant Current, Class 1, 120-277V, 50/60 Hz

200W: 120V: 1.67A, 208V: 0.96A, 240V: 0.83A, 277V: 0.72A

180W: 120V: 1.5A, 208V: 0.87A, 240V: 0.75A, 277V: 0.65A

100W: 120V: 1.33A, 208V: 0.77A, 240V: 0.67A, 277V: 0.58A

Constant Current, Non-Class 1, 480V, 50/60 Hz

200W: 480V: 0.42A

180W: 480V: 0.38A

100W: 480V: 0.33A

A22-320

Constant Current, Non-Class 1, 120-277V, 50/60 Hz

320W: 120V: 2.66A, 208V: 1.53A, 240V: 1.33A, 277V: 1.15A

280W: 120V: 2.33A, 208V: 1.34A, 240V: 1.16A, 277V: 1.01A

250W: 120V: 2.08A, 208V: 1.2A, 240V: 1.04A, 277V: 0.9A

Constant Current, Non-Class 1, 480V, 50/60 Hz

320W: 480V: 0.67A

280W: 480V: 0.58A

250W: 480V: 0.52A

Dimming Driver:

Driver includes dimming control wiring for 0-10V dimming systems.

Requires separate 0-10V DC dimming circuit. Dims down to 10%.

Surge Protection:

6kV

THD / POWER FACTOR:

MODEL#	THD			POWER FACTOR		
	120V	277V	480V	120V	277V	480V
A22-2T70	4.4%	7.8%	13.9%	99.7%	94.6%	91.8%
A22-2T100	3.3%	5.8%	13.7%	99.7%	94.5%	93.4%
A22-2T150	4.0%	6.3%	20.3%	99.8%	96.3%	86.9%
A22-2T200	2.5%	4.3%	11.8%	99.9%	96.5%	94.0%
A22-2T320	4.1%	6.6%	12.2%	99.9%	97.8%	95.1%
A22-3T70	4.2%	7.7%	13.9%	99.7%	94.6%	91.8%
A22-3T100	3.3%	5.8%	13.7%	99.7%	94.5%	93.4%
A22-3T150	4.2%	6.6%	20.3%	99.8%	96.3%	86.9%
A22-3T200	2.5%	4.3%	11.8%	99.9%	96.5%	94.0%
A22-3T320	4.0%	6.7%	12.2%	99.9%	97.7%	95.1%
A22-4T70	4.2%	7.8%	13.9%	99.7%	94.6%	91.8%
A22-4T100	3.3%	5.8%	13.7%	99.7%	94.5%	93.4%
A22-4T150	5.2%	6.7%	20.3%	99.8%	96.3%	86.9%
A22-4T200	2.5%	4.3%	11.8%	99.9%	96.5%	94.0%
A22-4T320	4.2%	6.8%	12.2%	99.9%	97.8%	95.1%

A22 Field-Adjustable Area Lights



TECHNICAL SPECIFICATIONS (CONTINUED)

ELECTRICAL (CONTINUED)

THD / POWER FACTOR (CONTINUED):

MODEL#	THD			POWER FACTOR		
	120V	277V	480V	120V	277V	480V
A22-5T70	4.2%	7.8%	13.9%	99.7%	94.6%	91.8%
A22-5T100	3.3%	5.8%	13.7%	99.7%	94.5%	93.4%
A22-5T150	4.1%	6.7%	20.3%	99.8%	96.3%	86.9%
A22-5T200	2.5%	4.3%	11.8%	99.9%	96.5%	94.0%
A22-5T320	4.1%	6.8%	12.2%	99.9%	97.8%	95.1%

Note: All values are typical (tolerance +/- 10%)

PERFORMANCE

Lifespan

100,000-hour LED lifespan based on IES LM-80 results and -21 calculations

LIGHTCLOUD BLUE

Lightcloud Blue-enabled

Lightcloud Blue (LCB) is a Bluetooth Mesh wireless lighting control system that allows you to control RAB's various compatible devices. With RAB's patented Rapid Provisioning technology, devices can be quickly and easily commissioned for residential and large commercial applications using the Lightcloud Blue mobile app. Each device in a system can communicate with any other device, eliminating the need for a Gateway or Hub and maximizing the control system's reach.

DLC system - N1XMLOEATBA (Interior); NHCZ2BIA17L (Exterior)

Learn more at www.lightcloud.com

OCCUPANCY SENSOR (ACCESSORIES)

Sensor Type: Passive Infrared (PIR) or Microwave (MVS)

Input Voltage: 12VDC

Operating Frequency: 50/60Hz

Input Current: 30mA

Operating Temperature: -40°F to 140°F (-20°C to 60°C)

Max Mounting Height: 40 ft. (PIR); 50 ft. (MVS)

Detection Range: PIR: 40 ft. diameter mounted at 40 ft. (/PIR & /LCBS); MVS: 50 ft. diameter mounted at 50 ft. (/MVS & /LCBS/MVS); PIR20[B]/[LCB] and MVS20[B]/[LCB] 20 ft. diameter mounted at 9 ft. (sold separately)

Daylight Sensing: The sensor will determine to trigger the light(s) on or not based on the daylight threshold level set.

Default Settings:

Motion Sensitivity: High

Brightness when triggered : 100%

Hold time: 1 minute (20 minutes for LCB sensors)

Standby to dim: 20%

Standby time: 1 minute

When vacant: Off

OTHER

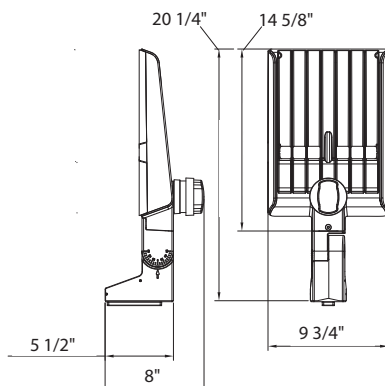
Warranty

The RAB 5-year, limited warranty covers light output, driver performance and paint finish. RAB's warranty is subject to all terms and conditions found at rablighting.com/warranty.

DIMENSIONS

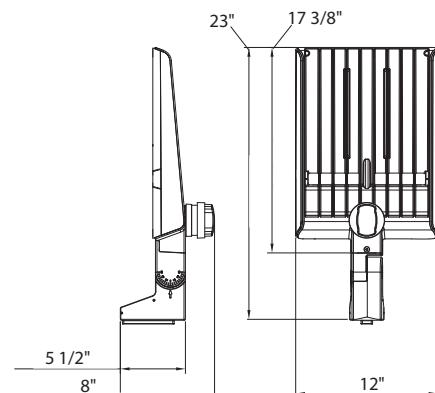
A22-70 / A22-100

Model#	WEIGHT
A22-70	6.46 lbs
A22-100	6.56 lbs



A22-150 /A22-200

Model#	Weight
A22-150	8.93 lbs
A22-200	9.03 lbs



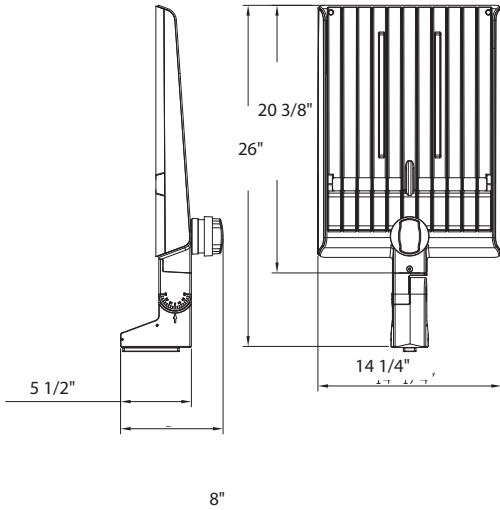
A22 Field-Adjustable Area Lights



DIMENSIONS (CONTINUED)

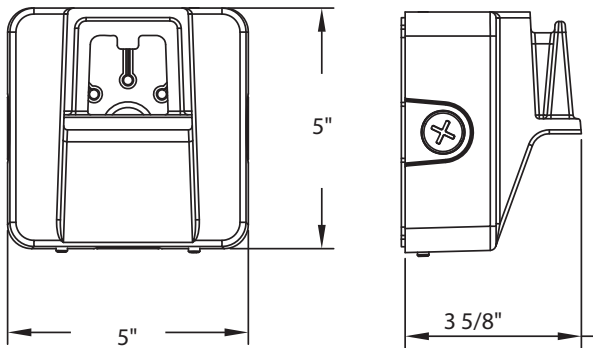
A22-320

Model#	Weight
A22-320	12.52 lbs

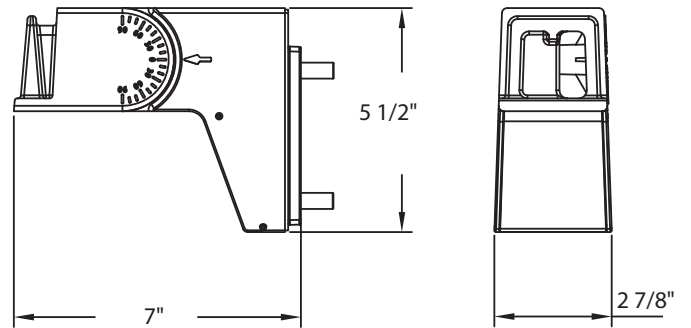


Mounting Accessories:

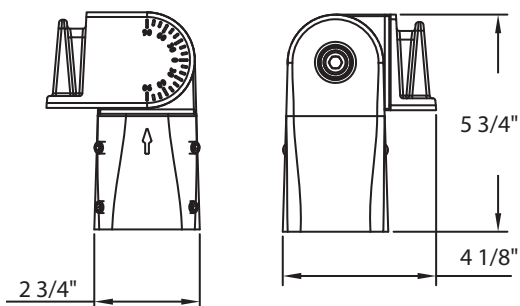
A22 WALL MOUNT



A22 UNIVERSAL POLE MOUNT



A22 SLIPFITTER MOUNT



A22 Field-Adjustable Area Lights



PERFORMANCE

A22, TYPE II, 120-277V

A22-70W, Type II	3000K	4000K	5000K	3000K	4000K	5000K	3000K	4000K	5000K
Wattage	70W			60W			50W		
Input Watts	71.8W	68.7W	72.6W	60.1W	57.8W	60.6W	49.1W	47.4W	49.3W
Lumens	9,888	10,860	10,205	8,625	9,358	8,947	7,270	7,802	7,533
Efficacy	137.7	158.1	140.6	143.5	161.9	147.6	148.1	164.6	152.8
CRI	81	84	83	81	84	83	81	84	83
Voltage Ratings	120-277V								

A22-100W, Type II	3000K	4000K	5000K	3000K	4000K	5000K	3000K	4000K	5000K
Wattage	100W			80W			60W		
Input Watts	100.8W	95.9W	101W	83.1W	79.6W	83.2W	62.1W	59.9W	62.3W
Lumens	13,154	14,572	13,624	11,426	12,470	11,890	9,048	9,694	9,408
Efficacy	130.5	151.9	134.9	137.5	156.7	142.9	145.7	161.8	151
CRI	80	84	83	81	84	83	81	84	83
Voltage Ratings	120-277V								

A22-150W, Type II	3000K	4000K	5000K	3000K	4000K	5000K	3000K	4000K	5000K
Wattage	150W			120W			100W		
Input Watts	151.1W	143.6W	151.4W	121W	115.9W	121.2W	103.2W	99.4W	103.6W
Lumens	20,276	22,428	21,066	17,243	18,788	17,927	15,219	16,453	15,885
Efficacy	134.2	156.2	139.1	142.5	162.1	147.9	147.5	165.5	153.3
CRI	80	84	83	81	84	83	81	84	83
Voltage Ratings	120-277V								

A22-200W, Type II	3000K	4000K	5000K	3000K	4000K	5000K	3000K	4000K	5000K
Wattage	200W			180W			160W		
Input Watts	200.1W	190W	200.5W	18/3.3W	174.4W	183.5W	162.1W	155.1W	162.3W
Lumens	25,503	28,301	26,415	23,845	26,379	24,847	21,834	23,925	22,746
Efficacy	127.5	149	131.7	130.1	151.3	135.4	134.7	154.3	140.1
CRI	80	84	83	80	84	84	81	84	84
Voltage Ratings	120-277V								

A22-320W, Type II	3000K	4000K	5000K	3000K	4000K	5000K	3000K	4000K	5000K
Wattage	320W			280W			250W		
Input Watts	321.8W	304.4W	323.1W	290.6W	276.1W	292W	257.2W	245.5W	258.6W
Lumens	41,083	45,763	42,438	38,300	42,317	39,728	35,143	38,457	36,550
Efficacy	127.7	150	131.3	131.8	153.3	136.1	136.6	156.6	141.3
CRI	80	84	83	80	84	84	80	84	84
Voltage Ratings	120-277V								

A22 Field-Adjustable Area Lights



PERFORMANCE

A22, TYPE II, 480V

A22-70W, TYPE II	3000K	4000K	5000K	3000K	4000K	5000K	3000K	4000K	5000K
Wattage	70W			60W			50W		
Input Watts	71W	68W	71.2W	61.8W	59.5W	61.9W	51.1W	49.5W	51.2W
Lumens	9,771	10,747	10,165	8,710	9,487	9,114	7,396	7,954	7,700
Efficacy	137.6	158	142.8	140.9	159.4	147.2	144.7	160.7	150.4
CRI	81	84	83	81	84	83	83	84	83
Voltage Ratings	480V								

A22-100W, TYPE II	3000K	4000K	5000K	3000K	4000K	5000K	3000K	4000K	5000K
Wattage	100W			80W			60W		
Input Watts	99.3W	94.9W	99.8W	85.7W	82.2W	86W	63.8W	61.7W	63.9W
Lumens	13,045	14,503	13,586	11,628	12,767	12,175	9,075	9,757	9,467
Efficacy	131.4	152.8	136.1	135.7	155.3	141.6	142.2	158.1	148.2
CRI	80	84	83	81	84	83	81	84	83
Voltage Ratings	480V								

A22-150W, TYPE II	3000K	4000K	5000K	3000K	4000K	5000K	3000K	4000K	5000K
Wattage	150W			120W			100W		
Input Watts	144.9W	138.3W	145.2W	120W	115.3W	120.4W	104.4W	100.6W	104.5W
Lumens	20,048	22,033	20,756	17,224	18,763	17,934	15,328	16,563	15,964
Efficacy	138.4	159.3	142.9	143.5	162.7	149	146.8	164.6	152.8
CRI	80	84	83	81	84	83	81	84	83
Voltage Ratings	480V								

A22-200W, TYPE II	3000K	4000K	5000K	3000K	4000K	5000K	3000K	4000K	5000K
Wattage	200W			180W			160W		
Input Watts	200.2W	190.3W	200.8W	186.4W	177.7W	187W	168.2W	160.8W	168.6W
Lumens	25,897	28,908	27,033	24,487	27,286	25,681	22,704	25,066	23,864
Efficacy	129.4	151.9	134.6	131.4	153.6	137.3	135	155.9	141.5
CRI	80	84	83	80	84	84	81	84	83
Voltage Ratings	480V								

A22-320W, TYPE II	3000K	4000K	5000K	3000K	4000K	5000K	3000K	4000K	5000K
Wattage	320W			280W			250W		
Input Watts	302.1W	286.8W	303.4W	279.6W	266.3W	281W	250.6W	239.8W	251.8W
Lumens	40,867	45,747	42,395	38,787	43,075	40,315	35,865	39,439	37,338
Efficacy	135.3	159.5	139.7	138.7	161.8	143.5	143.1	164.5	148.3
CRI	80	84	84	80	84	84	80	84	84
Voltage Ratings	480V								

A22 Field-Adjustable Area Lights



PERFORMANCE

A22, TYPE III, 120-277V

A22-70W, Type III	3000K	4000K	5000K	3000K	4000K	5000K	3000K	4000K	5000K
Wattage	70W			60W			50W		
Input Watts	71.8W	68.7W	72.6W	60.1W	57.8W	60.6W	49.1W	47.4W	49.3W
Lumens	9,876	10,834	10,185	8,602	9,330	8,871	7,250	7,788	7,517
Efficacy	137.5	157.7	140.3	143.1	161.4	146.4	147.7	164.3	152.3
CRI	81	84	83	81	84	83	81	84	83
Voltage Ratings	120-277V								

A22-100W, Type III	3000K	4000K	5000K	3000K	4000K	5000K	3000K	4000K	5000K
Wattage	100W			80W			60W		
Input Watts	100.8W	95.9W	101W	83.1W	79.6W	83.2W	62.1W	59.9W	62.3W
Lumens	13,138	14,537	13,597	11,396	12,433	11,789	9,023	9,676	9,388
Efficacy	130.3	151.6	134.6	137.1	156.2	141.7	145.	161.5	150.7
CRI	80	84	83	81	84	83	81	84	83
Voltage Ratings	120-277V								

A22-150W, Type III	3000K	4000K	5000K	3000K	4000K	5000K	3000K	4000K	5000K
Wattage	150W			120W			100W		
Input Watts	151.1W	143.6W	136.9W	121W	115.9W	121.2W	103.2W	99.4W	103.6W
Lumens	20,005	22,117	20,731	17,005	18,507	17,645	15,009	16,214	15,363
Efficacy	132.4	154	136.9	140.5	159.7	145.6	145.4	163.1	150.9
CRI	80	84	83	81	84	83	81	84	83
Voltage Ratings	120-277V								

A22-200W, Type III	3000K	4000K	5000K	3000K	4000K	5000K	3000K	4000K	5000K
Wattage	200W			180W			160W		
Input Watts	200.1W	190W	200.5W	183.3W	174.4W	183.5W	162.1W	155.1W	162.3W
Lumens	25,164	27,908	25,995	23,516	25,984	24,457	21,533	23,578	22,389
Efficacy	125.8	146.9	129.7	128.3	149	133.3	132.8	152	137.9
CRI	80	84	84	80	84	84	81	84	84
Voltage Ratings	120-277V								

A22-320W, Type III	3000K	4000K	5000K	3000K	4000K	5000K	3000K	4000K	5000K
Wattage	320W			280W			250W		
Input Watts	321.8W	304.3W	323.1W	290.5W	276W	291.8W	257.2W	245.5W	258.6W
Lumens	40,516	44,898	41,753	37,627	41,461	39,871	34,478	37,673	35,817
Efficacy	125.9	147.5	129.2	129.5	150.2	133.6	134.1	153.5	138.5
CRI	80	84	84	80	84	84	80	84	84
Voltage Ratings	120-277V								

A22 Field-Adjustable Area Lights



PERFORMANCE

A22, TYPE III, 480V

A22-70W, TYPE III	3000K	4000K	5000K	3000K	4000K	5000K	3000K	4000K	5000K
Wattage	70W			60W			50W		
Input Watts	71W	68W	71.2W	61.8W	59.5W	61.9W	51.1W	49.5W	51.2W
Lumens	9,759	10,722	10,147	8,687	9,458	9,037	7,375	7,939	7,684
Efficacy	137.5	157.7	142.5	140.6	159	146	144.3	160.4	150.1
CRI	81	84	83	81	84	83	83	84	83
Voltage Ratings	480V								

A22-100W, TYPE III	3000K	4000K	5000K	3000K	4000K	5000K	3000K	4000K	5000K
Wattage	100W			80W			60W		
Input Watts	99.3W	94.9W	99.8W	85.7W	82.2W	86W	18.26W	18.75W	18.46W
Lumens	13,029	14,468	13,559	11,597	12,729	12,079	9,050	9,740	9,447
Efficacy	131.2	152.5W	135.9W	135.3W	154W	140.4W	141.8W	157.9W	147.8W
CRI	80	84	83	81	84	83	81	84	83
Voltage Ratings	480V								

A22-150W, TYPE III	3000K	4000K	5000K	3000K	4000K	5000K	3000K	4000K	5000K
Wattage	150W			120W			100W		
Input Watts	144.9W	138.3W	145.2W	120W	115.3W	120.4W	104.4W	100.6W	104.5W
Lumens	19,781	21,728	20,426	16,986	18,483	17,652	15,116	16,323	15,713
Efficacy	136.5	157.1	140.7	141.6	160.3	146.6	144.8	162.3	150.4
CRI	80	84	83	81	84	83	81	84	83
Voltage Ratings	480V								

A22-200W, TYPE III	3000K	4000K	5000K	3000K	4000K	5000K	3000K	4000K	5000K
Wattage	200W			180W			160W		
Input Watts	200.2W	190.3W	200.8W	186.4W	177.7W	187W	168.2W	160.8W	168.6W
Lumens	25,551	28,507	26,603	24,149	26,878	25,277	22,391	24,702	23,490
Efficacy	127.6	149.8	132.5	129.6	151.3	135.2	133.1	153.6	139.3
CRI	80	84	83	80	84	84	81	84	83
Voltage Ratings	480V								

A22-320W, TYPE III	3000K	4000K	5000K	3000K	4000K	5000K	3000K	4000K	5000K
Wattage	320W			280W			250W		
Input Watts	302.1W	286.8W	303.4W	279.6W	266.43W	281W	250.6W	239.8W	251.8W
Lumens	40,303	44,883	41,711	38,105	42,204	40,460	35,187	38,635	36,589
Efficacy	133.4	156.5	137.5	136.3	158.5	144	140.4	161.1	145.3
CRI	80	84	84	80	84	84	80	84	84
Voltage Ratings	480V								

A22 Field-Adjustable Area Lights



PERFORMANCE

A22, TYPE IV, 120-277V

A22-70W, Type IV	3000K	4000K	5000K	3000K	4000K	5000K	3000K	4000K	5000K
Wattage	70W			60W			50W		
Input Watts	71.8W	683.7W	72.6W	60.1W	57.8W	60.6W	49.1W	47.4W	49.3W
Lumens	9,770	10,708	10,063	8,519	9,238	8,790	7,182	7,713	7,443
Efficacy	136.1	155.9	138.6	141.7	159.8	145	146.3	162.7	151
CRI	81	84	83	81	84	83	81	84	83
Voltage Ratings	120-277V								

A22-100W, Type IV	3000K	4000K	5000K	3000K	4000K	5000K	3000K	4000K	5000K
Wattage	100W			80W			60W		
Input Watts	100.8W	95.9W	101W	83.1W	79.6W	83.2W	62.1W	59.9W	62.3W
Lumens	12,997	14,368	13,434	11,286	12,310	11,681	8,938	9,583	9,296
Efficacy	128.9	149.8	133	135.8	154.6	140.4	143.9	160	149.2
CRI	80	84	83	81	84	83	81	84	83
Voltage Ratings	120-277V								

A22-150W, Type IV	3000K	4000K	5000K	3000K	4000K	5000K	3000K	4000K	5000K
Wattage	150W			120W			100W		
Input Watts	151.1W	143.6W	151.4W	121W	115.9W	121.2W	103.2W	99.4W	103.6W
Lumens	19,694	21,764	20,389	16,802	18,256	17,361	14,820	15,979	15,364
Efficacy	130.3	151.6	134.7	138.9	157.5	143.2	143.6	160.8	148.3
CRI	81	84	83	81	84	83	81	84	83
Voltage Ratings	120-277V								

A22-200W, Type IV	3000K	4000K	5000K	3000K	4000K	5000K	3000K	4000K	5000K
Wattage	200W			180W			160W		
Input Watts	200.1W	190W	200.5W	183.3W	174.4W	183.5W	162.1W	155.1W	162.3W
Lumens	24,773	27,463	25,566	23,235	25,632	24,063	21,262	23,236	22,000
Efficacy	123.8	144.5	127.5	126.8	147	131.1	131.2	149.8	135.6
CRI	80	84	84	80	84	84	81	84	84
Voltage Ratings	120-277V								

A22-320W, Type IV	3000K	4000K	5000K	3000K	4000K	5000K	3000K	4000K	5000K
Wattage	320W			280W			250W		
Input Watts	321.6W	304.3W	232.2W	290.4W	276W	291.8W	257W	245.4W	258.5W
Lumens	39,603	43,975	40,913	36,803	40,617	38,180	33,720	36,868	35,036
Efficacy	123.1	144.5	126.6	126.7	147.2	130.8	131.2	150.2	135.5
CRI	80	84	84	80	84	84	81	84	84
Voltage Ratings	120-277V								

A22 Field-Adjustable Area Lights



PERFORMANCE

A22, TYPE IV, 480V

A22-70W, TYPE IV	3000K	4000K	5000K	3000K	4000K	5000K	3000K	4000K	5000K
Wattage	70W			60W			50W		
Input Watts	71W	68W	71.2W	61.8W	59.5W	61.9W	51.1W	49.5W	51.2W
Lumens	9,654	10,597	10,025	8,603	9,365	8,954	7,306	7,863	7,608
Efficacy	136	155.8	140.8	139.2	157.4	144.7	143	158.8	148.6
CRI	81	84	83	81	84	83	83	84	83
Voltage Ratings	480V								

A22-100W, TYPE IV	3000K	4000K	5000K	3000K	4000K	5000K	3000K	4000K	5000K
Wattage	100W			80W			60W		
Input Watts	99.3W	94.9W	99.8W	85.7W	82.2W	86W	63.8W	61.7W	63.9W
Lumens	12,889	14,300	13,392	11,486	12,603	11,961	8,965	9,646	9,354
Efficacy	129.8	150.7	134.2	134	153.3	139.1	140.5	156.3	146.4
CRI	80	84	83	81	84	83	81	84	83
Voltage Ratings	480V								

A22-150W, TYPE IV	3000K	4000K	5000K	3000K	4000K	5000K	3000K	4000K	5000K
Wattage	150W			120W			100W		
Input Watts	144.9W	158.3W	145.2W	120W	115.3W	120.4W	104.4W	100.6W	104.5W
Lumens	19,473	21,381	20,089	16,783	18,232	17,368	14,926	16,086	15,440
Efficacy	134.4	154.6	138.4	139.9	158.1	144.3	143	159.9	147.8
CRI	80	84	83	81	84	83	81	84	83
Voltage Ratings	480V								

A22-200W, TYPE IV	3000K	4000K	5000K	3000K	4000K	5000K	3000K	4000K	5000K
Wattage	200W			180W			160W		
Input Watts	200.2W	190.3W	200.8W	186.4W	177.7W	187W	168.2W	160.8W	168.6W
Lumens	25,154	28,052	26,164	23,861	26,513	24,870	22,109	24,344	23,081
Efficacy	125.6	147.4	130.3	128	149.2	133	131.4	151.4	136.9
CRI	80	84	83	80	84	84	81	84	83
Voltage Ratings	480V								

A22-320W, TYPE IV	3000K	4000K	5000K	3000K	4000K	5000K	3000K	4000K	5000K
Wattage	320W			280W			250W		
Input Watts	302.1W	286.8W	303.4W	279.6W	266.3W	281W	250.6W	239.8W	251.8W
Lumens	39,395	43,960	40,872	37,271	41,345	38,744	34,413	37,809	35,791
Efficacy	130.4	153.3	134.7	133.3	155.3	137.9	137.3	157.7	142.1
CRI	80	84	84	80	84	84	80	84	84
Voltage Ratings	480V								

A22 Field-Adjustable Area Lights



PERFORMANCE

A22, TYPE V, 120-277V

A22-70W, Type V	3000K	4000K	5000K	3000K	4000K	5000K	3000K	4000K	5000K
Wattage	70W			60W			50W		
Input Watts	71.8W	68.7W	72.6W	60.1W	57.8W	60.6W	49.1W	47.4W	49.3W
Lumens	10,060	11,041	10,442	8,768	9,516	9,047	7,396	7,939	7,652
Efficacy	140.1	1600.7	143.8	145.9	164.6	149.3	150.6	167.5	155.2
CRI	81	84	83	81	84	83	81	84	83
Voltage Ratings	120-277V								

A22-100W, Type V	3000K	4000K	5000K	3000K	4000K	5000K	3000K	4000K	5000K
Wattage	100W			80W			60W		
Input Watts	100.8W	95.9W	101W	83.1W	79.6W	83.2W	62.1W	59.9W	62.3W
Lumens	13,383	14,815	13,940	11,616	12,680	12,023	9,204	9,864	9,557
Efficacy	132.8	154.5	138	139.8	159.3	144.5	148.2	164.7	153.4
CRI	80	84	83	81	84	83	81	84	83
Voltage Ratings	120-277V								

A22-150W, Type V	3000K	4000K	5000K	3000K	4000K	5000K	3000K	4000K	5000K
Wattage	150W			120W			100W		
Input Watts	151.1W	143.6W	151.4W	121W	115.9W	121.2W	103.2W	99.4W	103.6W
Lumens	20,500	22,677	21,286	17,433	18,993	18,127	15,342	16,606	16,016
Efficacy	135.7	157.9	140.6	144.1	163.9	149.6	148.7	167.1	154.6
CRI	80	84	83	81	84	83	81	84	83
Voltage Ratings	120-277V								

A22-200W, Type V	3000K	4000K	5000K	3000K	4000K	5000K	3000K	4000K	5000K
Wattage	200W			180W			160W		
Input Watts	200.1W	190W	200.5W	183.3W	174.4W	183.5W	162.1W	155.1W	162.3W
Lumens	25,787	28,615	26,691	24,108	26,667	25,125	22,011	24,148	22,934
Efficacy	128.9	150.6	133.1	131.5	152.9	136.9	135.8	155.7	141.3
CRI	80	84	84	80	84	84	81	84	84
Voltage Ratings	120-277V								

A22-320W, Type V	3000K	4000K	5000K	3000K	4000K	5000K	3000K	4000K	5000K
Wattage	320W			280W			250W		
Input Watts	321.9W	304.5W	323.4W	290.6W	276.1W	292W	257.3W	245.5W	258.6W
Lumens	41,399	45,974	42,758	38,550	42,585	39,977	35,350	38,710	36,793
Efficacy	128.6	151	132.2	132.7	154.2	136.9	137.4	157.7	142.3
CRI	80	84	84	80	84	84	80	84	84
Voltage Ratings	120-277V								

A22 Field-Adjustable Area Lights



PERFORMANCE

A22, TYPE V, 480V

A22-70W, TYPE V	3000K	4000K	5000K	3000K	4000K	5000K	3000K	4000K	5000K
Wattage	70W			60W			50W		
Input Watts	71W	68W	71.2W	61.8W	59.5W	61.9W	51.1W	49.5W	51.2W
Lumens	9,941	10,927	10,403	8,854	9,647	9,216	7,524	8,093	7,822
Efficacy	140	160.7	146.1	143.3	162.1	148.9	147.2	163.5	152.8
CRI	81	84	83	81	84	83	83	84	83
Voltage Ratings	480V								

A22-100W, TYPE V	3000K	4000K	5000K	3000K	4000K	5000K	3000K	4000K	5000K
Wattage	100W			80W			60W		
Input Watts	99.3W	94.9W	99.8W	85.7W	82.2W	86W	63.8W	61.7W	63.9W
Lumens	13,272	14,745	13,902	11,821	12,982	12,311	9,232	9,929	9,617
Efficacy	133.7	155.4	139.3	137.9	157.9	143.2	144.7	160.9	150.5
CRI	80	84	83	81	84	83	81	84	83
Voltage Ratings	480V								

A22-150W, TYPE V	3000K	4000K	5000K	3000K	4000K	5000K	3000K	4000K	5000K
Wattage	150W			120W			100W		
Input Watts	144.9W	138.3W	145.2W	120W	115.3W	120.4W	104.4W	100.6W	104.5W
Lumens	20,270	22,278	20,973	17,413	18,968	18,134	15,452	16,717	16,095
Efficacy	139.9	161.1	144.4	145.1	164.5	150.6	148	166.2	154
CRI	80	84	83	81	84	83	81	84	83
Voltage Ratings	480V								

A22-200W, TYPE V	3000K	4000K	5000K	3000K	4000K	5000K	3000K	4000K	5000K
Wattage	200W			180W			160W		
Input Watts	200.2W	190.3W	200.8W	186.4W	177.7W	187W	168.2W	160.8W	168.6W
Lumens	26,183	29,229	27,315	24,757	27,583	25,967	22,888	25,299	24,060
Efficacy	130.8	153.6	136	132.8	155.2	138.9	136.1	157.3	142.7
CRI	80	84	83	80	84	84	81	84	83
Voltage Ratings	480V								

A22-320W, TYPE V	3000K	4000K	5000K	3000K	4000K	5000K	3000K	4000K	5000K
Wattage	320W			280W			250W		
Input Watts	302.1W	286.8W	303.4	279.6W	266.3W	281W	250.6W	239.8W	251.8W
Lumens	41,182	45,958	42,715	39,040	43,348	40,568	36,076	39,698	37,586
Efficacy	136.3	160.2	140.8	139.6	162.8	144.4	144	165.5	149.3
CRI	80	84	84	80	84	84	80	84	84
Voltage Ratings	480V								

A22 Field-Adjustable Area Lights



ACCESSORIES

IMAGE	SKU#	UPC	DESCRIPTION
	A22-70/100LENS2T	192552034418	TYPE 2 LENS KIT A22-70 AND A22-100
	A22-70/100LENS4T	192552034425	TYPE 4 LENS KIT A22-70 AND A22-100
	A22-70/100LENS5T	192552034432	TYPE 5 LENS KIT A22-70 AND A22-100
	A22-150/200LENS2T	192552034449	TYPE 2 LENS KIT A22-150 AND A22-200
	A22-150/200LENS4T	192552034456	TYPE 2 LENS KIT A22-150 AND A22-200
	A22-150/200LENS5T	192552034463	TYPE 2 LENS KIT A22-150 AND A22-200
	A22-320LENS2T	192552034470	TYPE 2 LENS KIT A22-320
	A22-320LENS4T	192552034487	TYPE 4 LENS KIT A22-320
	A22-320LENS5T	192552034494	TYPE 5 LENS KIT A22-320
	A22SF	192552034357	A22 SLIPFITTER BRONZE
	A22SFW	192552034371	A22 SLIPFITTER WHITE
	A22SFB	192552034364	A22 SLIPFITTER BLACK
	A22WM	192552034388	A22 WALL MOUNT BRONZE
	A22WMW	192552034401	A22 WALL MOUNT WHITE
	A22WMB	192552034395	A22 WALL MOUNT BLACK
	LCTWIST/K	019813832111	LC TWISTLOCK PHOTOCELL 120-277V BLACK
	R-3P-PCT	192552004299	RAB 3 PIN TWISTLOCK PHOTOCELL 120-277V
	R-3P-PCT-480V	192552004305	RAB 3 PIN TWISTLOCK PHOTOCELL 480V
	MSR1	192552026055	MULTI SENSOR REMOTE

A22 Field-Adjustable Area Lights



ACCESSORIES (CONTINUED)

IMAGE	SKU#	UPC	DESCRIPTION
	MVS50	192552025997	HIGH CEILING LOW VOLTAGE MVS SENSOR WHITE
	MVS50/LCB	192552014168	LC BLUE HIGH CEILING LOW VOLT LUMINAIRE CONTROLLER W/MVS WHITE
	PIR40	192552026000	HIGH CEILING LOW VOLTAGE PIR SENSOR WHITE
	PIR40/LCB	192552014151	LC BLUE HIGH CEILING LOW VOLT LUMINAIRE CONTROLLER W/PIR WHITE
	MVS20	192552026017	LOW CEILING LOW VOLTAGE MVS SENSOR WHITE
	MVS20/LCB	192552042253	LC BLUE LOW CEILING LOW VOLT LUMINAIRE CONTROLLER WITH MVS WHITE
	PIR20	192552026024	LOW CEILING LOW VOLTAGE PIR SENSOR WHITE
	PIR20/LCB	192552042246	LC BLUE LOW CEILING LOW VOLT LUMINAIRE CONTROLLER WITH PIR WHITE

ORDERING MATRIX

Family	Optics	Wattages	Mounting	Color Temperature	Finish	Voltage	Options
A22	-						
	BLANK Type III 2T Type II 4T Type IV 5T Type V	70 70/60/50W 100 100/80/60W 150 150/120/100W 200 200/180/160W 320 320/280/250W	BLANK Universal Adjustable Pole Mount	BLANK CCT Adjustable 3000/4000/5000K	BLANK Bronze W White B Black	BLANK 120-277V* /480 480V*	BLANK 7-Pin Receptacle with Shorting Cap /MVS 7-Pin Receptacle with Shorting Cap & Microwave Occupancy Sensor /LCBS** Lightcloud Blue Enabled w/PIR Sensor /LCBS/MVS** Lightcloud Blue Enabled w/MVS Sensor

Family	Optics	Wattages	Mounting	Color Temperature	Finish	Voltage	Options
A22	-	150X					
	BLANK Type III Installed, Type IV and Type V included	150X 150/120/100W	BLANK Universal Adjustable Pole Mount	BLANK CCT Adjustable 3000/4000/5000K	BLANK Bronze	BLANK 120- 277V*	BLANK 7-Pin Receptacle with Shorting Cap + 3Pin Twistlock Photocell /LCBS ** Lightcloud Blue Enabled w/PIR Sensor /LCBS/MVS** Lightcloud Blue Enabled w/MVS Sensor

*0-10V dimming standard
**Only available in bronze models